

USB-104: USB Shared Memory System

Features

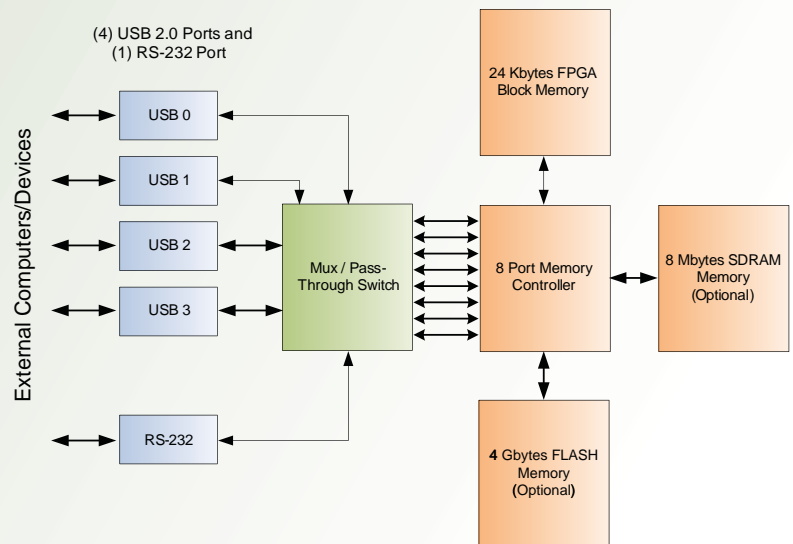
The USB Shared Memory System (USB-104) by VPI Embedded provides common shared memory to multiple computers via USB, RS232, or a PC/104 stack.

Applications

The USB-104 has applications in many areas including:

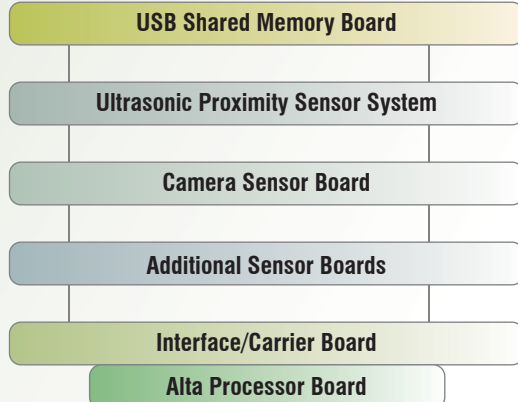
- Military
- Aerospace
- Unmanned and manned vehicles
- Industrial automation

System Diagram



VPI Embedded Processor Stack

The USB-104 Shared Memory System allows for the sharing of memory within the VPI Embedded Processor Stack or other systems.



Compatible Hardware

- USB 2.0 Devices
- Networked Devices
- RS232 Devices
- PC/104 Compatible

Contact Information

VPI Embedded
 11814 S. Election Road, Suite 200
 Draper, UT 84020
 801-495-2310
www.vpiembedded.com
info@vpiembedded.com